

يوروتكش م ح
EUROTECH FZCO



Eurotech Enclosures

ROW DB



ENERGY



INDUSTRY



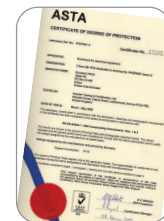
RESIDENTIAL



INFRASTRUCTURE



EHS Award
Silver Medal 2007



ASTA
Certified



Multirow Din Consumer Boards

- ⤴ DIN type Row DB's are available in surface and flush mountable versions from 1 Row up to 8 Rows.
- ⤴ DIN Rail chassis is mounted on studs with level adjustable fly nuts and are designed to accept snap on type neutral and earth bars. Each row can take 16 modules of equipment (optional - 24 modules) and the spacing between rows is 150mm.
- ⤴ End plates have one multiple diameter knockout for accepting three different sizes of incomer cable and many knockouts for outgoing cables.
- ⤴ Liberally designed size provides ample cabling space.
- ⤴ The door or the box itself is reversible for left or right opening.
- ⤴ The consumer boards are made of electrogalvanised steel sheets, electrostatically powder coated in RAL 7035.
- ⤴ ASTA certified for degree of protection IP41 & 43

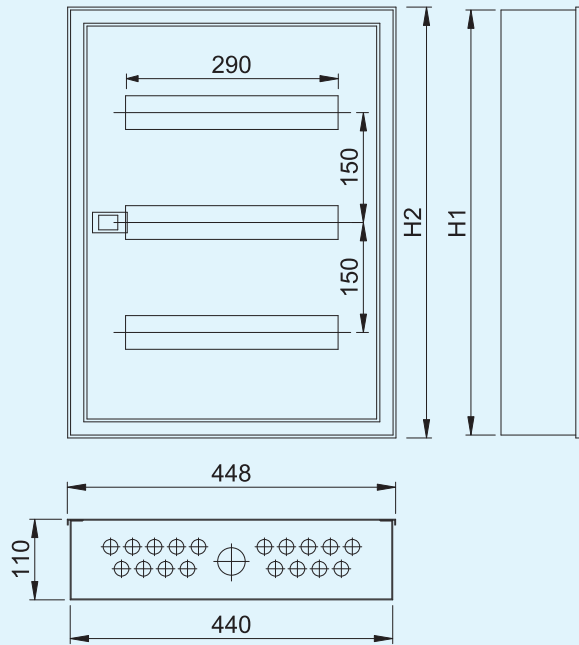


INSIDE VIEW

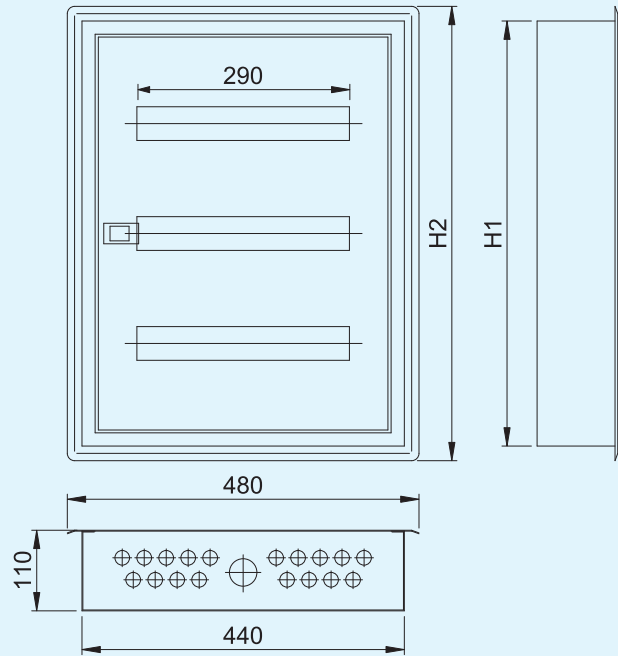


HINGES

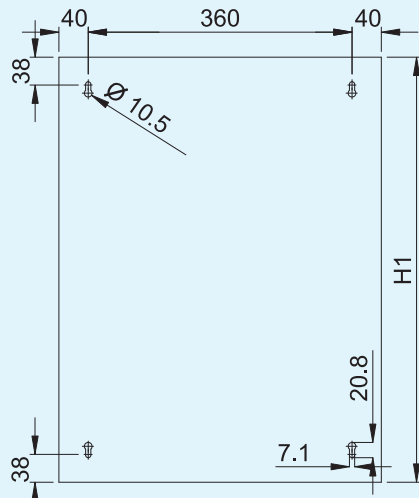
SURFACE MOUNTED



FLUSH MOUNTED



FIXING DETAILS - REAR SIDE



ORDERING REFERENCES

SI. NO.	TYPE	SURFACE			FLUSH		
		EUROTECH REFERENCES	H1	H2	EUROTECH REFERENCES	H1	H2
1.	1 ROW	RDB 1S 16	280	288	RDB 1F 16	280	320
2.	2 ROW	RDB 2S 16	430	438	RDB 2F 16	430	470
3.	3 ROW	RDB 3S 16	580	588	RDB 3F 16	580	620
4.	4 ROW	RDB 4S 16	730	738	RDB 4F 16	730	770
5.	5 ROW	RDB 5S 16	880	888	RDB 5F 16	880	920
6.	6 ROW	RDB 6S 16	1030	1038	RDB 6F 16	1030	1070
7.	7 ROW	RDB 7S 16	1180	1188	RDB 7F 16	1180	1220
8.	8 ROW	RDB 8S 16	1330	1338	RDB 8F 16	1330	1370

ALL DIMENSIONS ARE IN MM

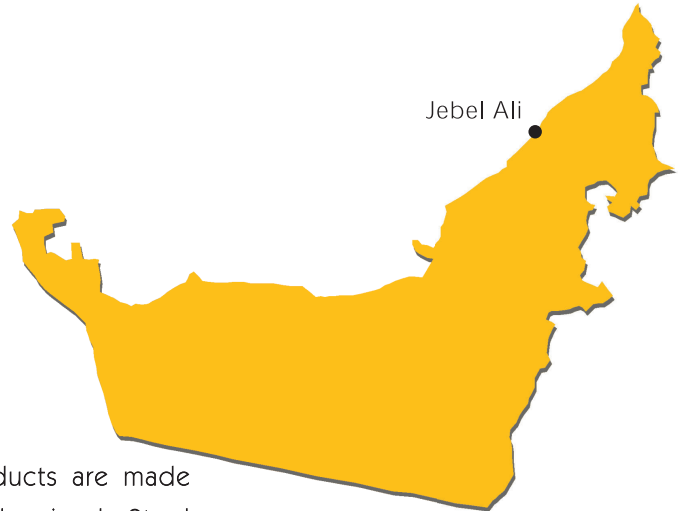


EUROTECH has superior level of engineering competence in manufacturing metal enclosures for Low and Medium voltage Switchgear. It can very quickly respond to the highly demanding market.

With well qualified and experienced engineers and equipped with latest tailor-made Design and Engineering software and most modern state of the art manufacturing machinery like CNC Punch Presses, CNC Pressbrakes, welding machines **EUROTECH** can offer products which are consistent in quality giving full reliability to the customer.

EUROTECH Products are made of Electro Galvanised Steel sheets, Aluminium and Stainless steel.

To withstand the highly corrosive, hot, humid and salt laden atmospheric conditions, **EUROTECH** plant is equipped with conveyerised, 7 stage spray zinc phosphating pretreatment process combined with automatic electrostatic polyester powder coating ensuring the durability of its products.



In a nutshell, Eurotech offers value for money to the customer in UAE which is vouched by prestigious clients.



EUROTECH FZCO

Manufacturing of Metal Enclosures & Trading in Electrical Switchboards

P.O. Box: 61196, Jebel Ali, Dubai, United Arab Emirates
Tel: 00971 4 8830333, Fax: 00971 4 8830339, E-mail: general@eurotech-fzco.ae